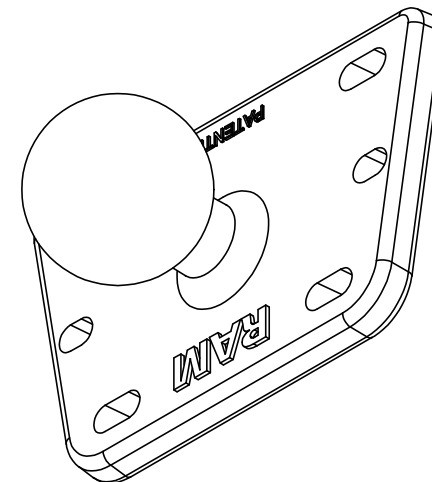
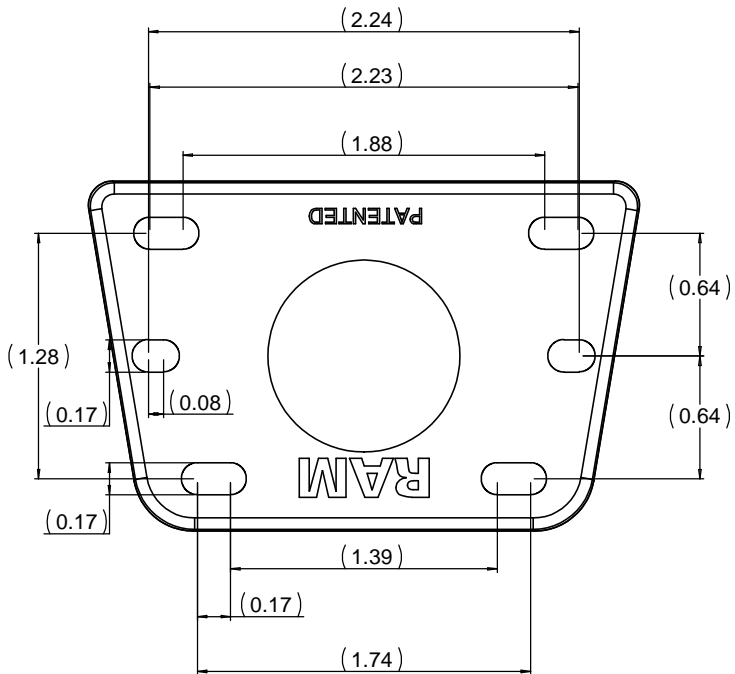
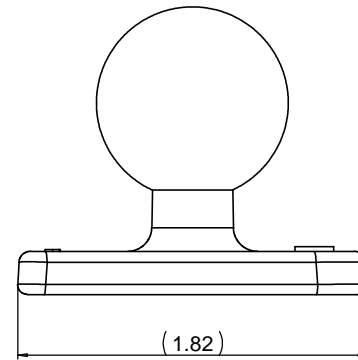
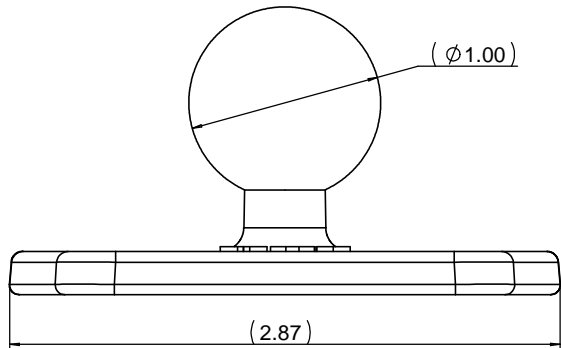


THE INFORMATION CONTAINED IN THIS DRAWING IS THE SOLE PROPERTY OF NATIONAL PRODUCTS INC. ANY REPRODUCTION IN PART OR WHOLE WITHOUT THE WRITTEN PERMISSION OF NATIONAL PRODUCTS INC. IS PROHIBITED.

REV.	DESCRIPTION	REVISIONS	DATE	APPROVED



UNLESS OTHERWISE SPECIFIED DIMENSIONS ARE IN INCHES FRACTIONS: DECIMALS ANGLES +/- 1/32 .XX+ .03 +/- 1 DEG. .XXX+ .010	CAD GENERATED DRAWING. DO NOT MANUALLY UPDATE		NATIONAL PRODUCTS INC.	
	APPROVALS	DATE	RAM CENTER RESEVOIR BASE WITH / 7/16" POST AND 1" DIA BALL	
MATERIAL MIXED	DRAWN JDC	1/07/11	CHECKED CMR	1/07/11
FINISH BLACK	MFG ENG		QUAL ENG	
DO NOT SCALE DRAWING	SCALE 1 TO 1	CAD FILE: RAMB345	SHEET 1 OF 1	