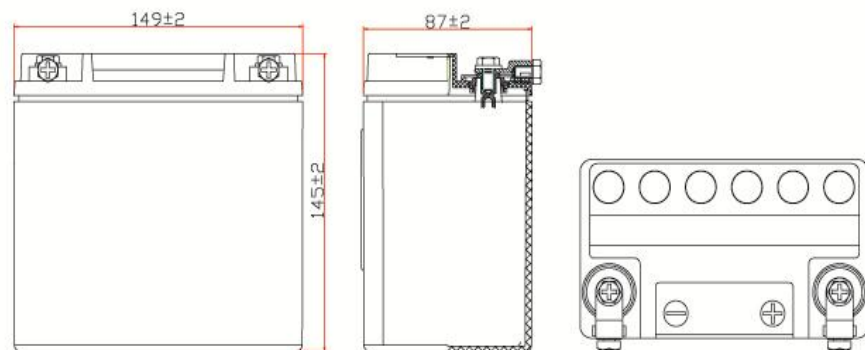


NITRO - HVT-3**65948-04A****12V - 12Ah**

Specially designed as a high-performance battery for motorcycles. It's characteristics is COS technology: Non leakage, high cranking, AMPS, high security and high vibration resistant.

Specifications

Voltage (C10)	12V	
Capacity	12Ah	
Weight	Approx. 5,3 Kgs	
Charging Current	1,2A	
Maximum Discharge Current	240A (5 secs)	
Cold Cranking AMPS (-18°C)	DIN Norm	200A
	SAE Norm	360A
Operation Temperature Range	Discharge	-20°C to 50°C
	Charge	0°C to 40°C
	Storage	-20°C to -40°C
Nominal Operation Temperature Range	25+/-3°C	
Recommended Maximum Charging Current Limit	3,6A	
Equalization and Cycle Service	14,8 VDC/unit avg. At 25°C	
Self Discharge	Batteries can be stored for 6 months at 25°C. Please charge batteries before using. At higher temperatures the Self Discharge will be faster.	
Dimensions (in mm)	L:149 W:87 H:145	



ISO9001

ISO14001

UL

CE