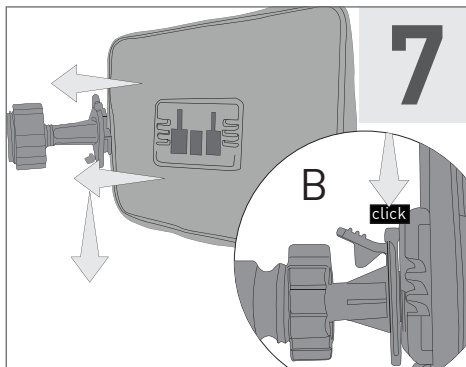


6

Agganciare la fascia di sicurezza alla custodia e fissare il lato terminale in velcro al tubolare del manubrio.
Hook the safety band to the case, and fasten the Velcro closure on other end of the strap to the handlebar.



7

Agganciare infine la custodia alla staffa.
Snap the case onto the bracket.

interphone *SMiPad*
IPAD HOLDER
interphone *SM70*
TABLET HOLDER

ISTRSMTAB70IPAD



Istruzioni di montaggio
Assembly instructions



★ ★ ★ ★ ★
★ COMPATIBILITY AND QUALITY GUARANTEED BY ★
★ CELLULAR ITALIA S.p.A. ★
www.cellularline.com/quality

COMPANY WITH QUALITY MANAGEMENT
SYSTEM CERTIFIED BY DNV
= ISO 9001:2008 =



Distributed By: **CELLULAR ITALIA** S.p.A.

Via Lambrakis 1/A - 42122 Reggio Emilia (Italy)
www.interphone.cellularline.com

