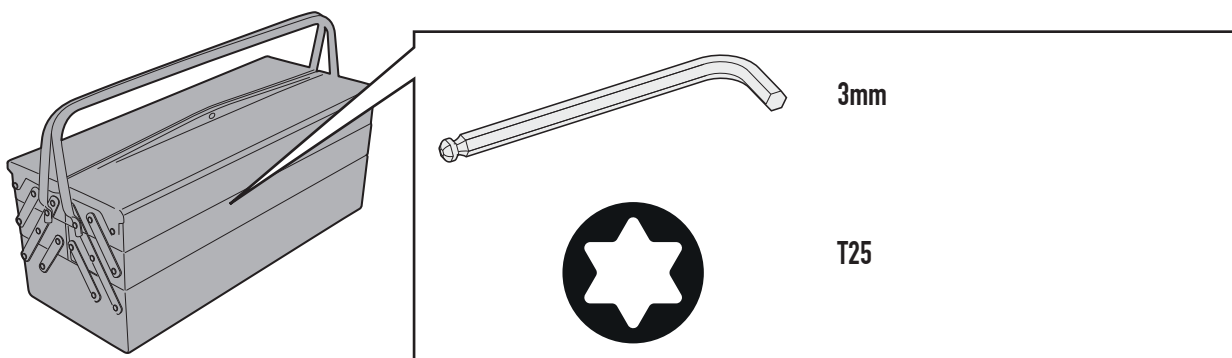
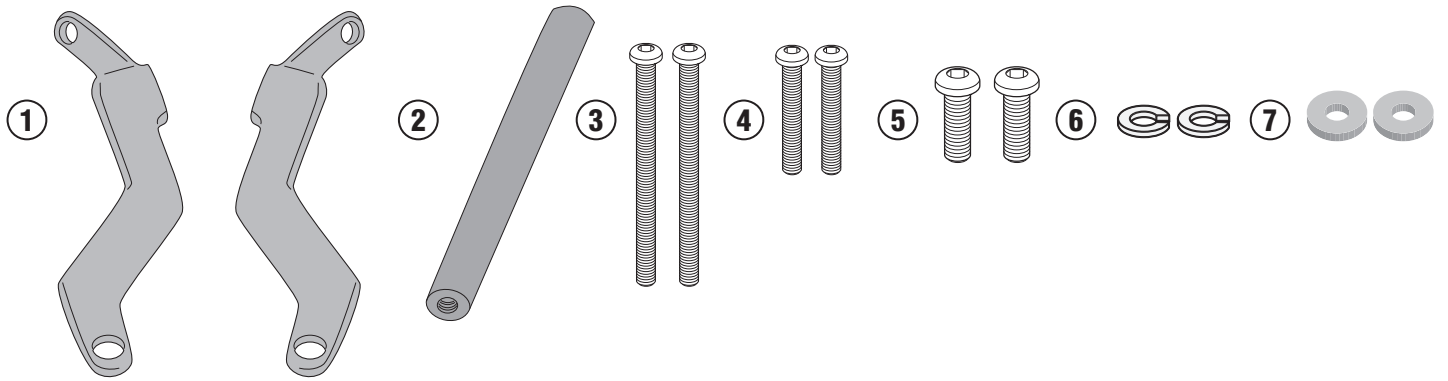


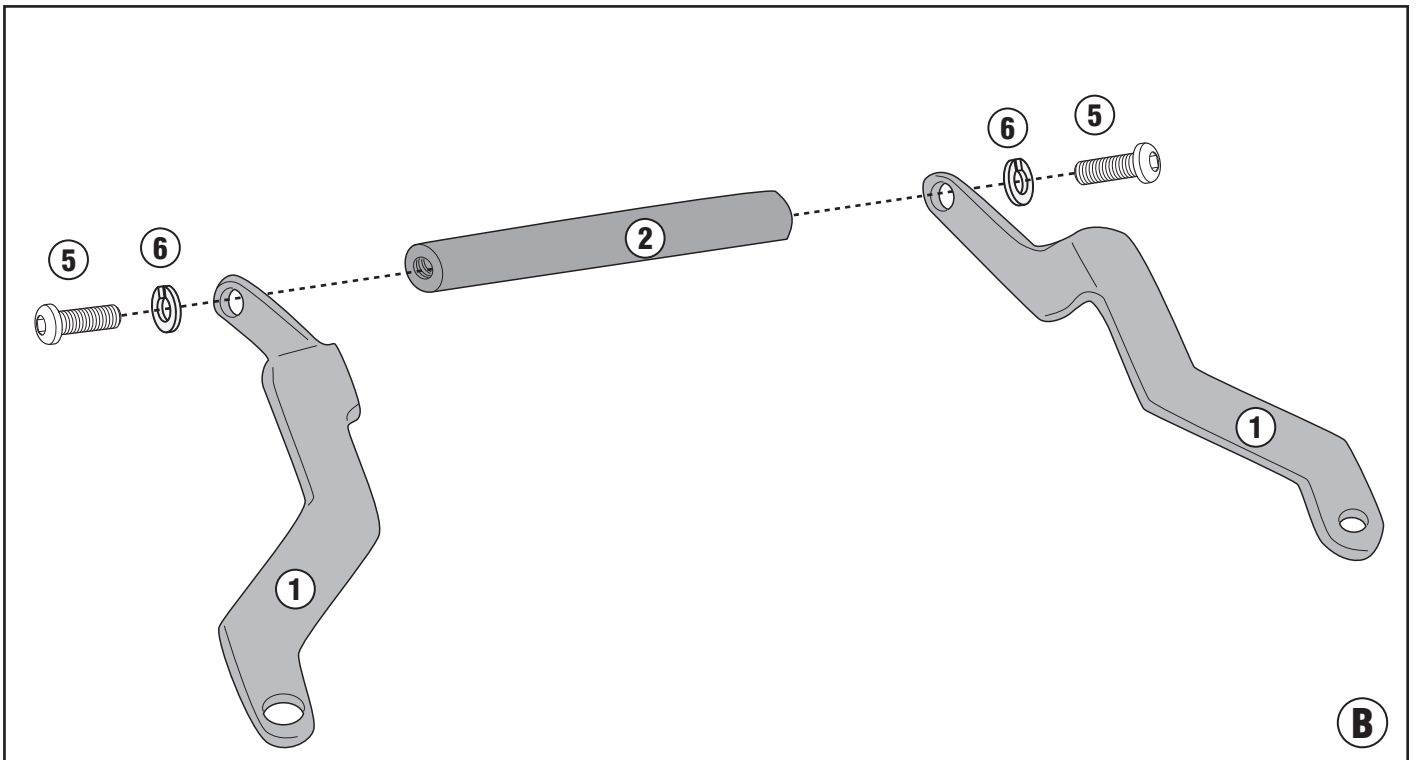
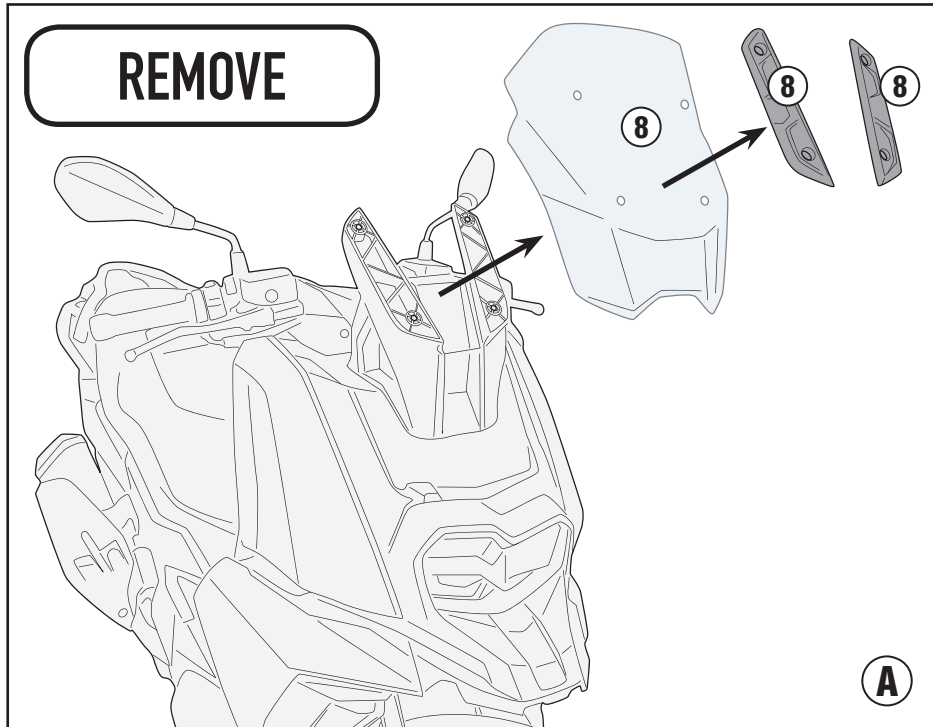
**FB5130 – KFB5130**  
**Traversino – Fairing upper bracket – Support gps pour carenage – Barra –**  
**Halterung zur montage am windschild – Suporte**  
**BMW C400X (2019)**

N°	Descrizione	Caratteristiche	Codice	Quantità
1	Supporto laterale - Lower frame Support latéral - Soporte lateral Untere Halterung - Suporte lateral	-	GL4208DXV GL4208SXV	2 (Right/Left)
2	Supporto - Support - Support Halterung - Soporte - Apoio	-	V974	1
3	Vite - Screw Vis - Schraube Tornillo - Parafuso	TBEIX M5x60	560TBEIX	2
4	Vite - Screw Vis - Schraube Tornillo - Parafuso	TBEIX M5x30	530TBEIX	2
5	Vite - Screw Vis - Schraube Tornillo - Parafuso	TBEIFF M6x16	616TBEIFF	2
6	Rondella spaccata - Split washer Scheibe - Rondelle fendue Arandela seccionada - Arruela quebrada	Ø6	Z1063	2
7	Distanziale - Spacer Entretoise - Distanzstueck Distanciador - Espaçador	Ø16x3 Foro 6,5mm	C16L3F6,5T	2
8	Componenti Originali - Original Parts Parties Originales - Original Bauteile Componentes Originales - Componentes Originais	-	-	-
9	Particolari Inclusi nel D5130KIT Components Included In The D5130KIT Pièces Inclues Dans D5130KIT Die Einzelnen Teile Sind Bei D5130KIT Despieces Incluidos D5130KIT Componentes inclusos na D5130KIT	-	-	-

**FB5130 - KFB5130**  
Traversino - Fairing upper bracket - Support gps pour carenage - Barra -  
Halterung zur montage am windschild - Suporte  
**BMW C400X (2019)**

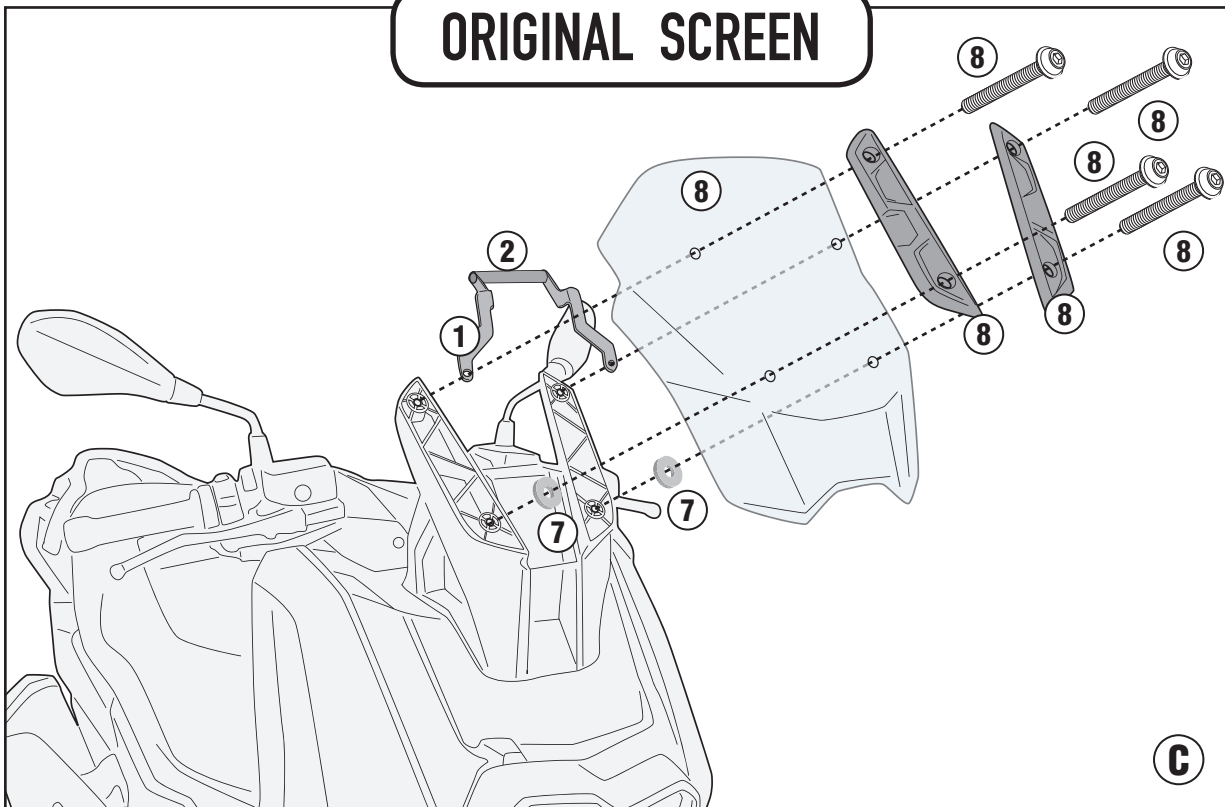


**FB5130 – KFB5130**  
Traversino – Fairing upper bracket – Support gps pour carenage – Barra –  
Halterung zur montage am windschild – Suporte  
**BMW C400X (2019)**

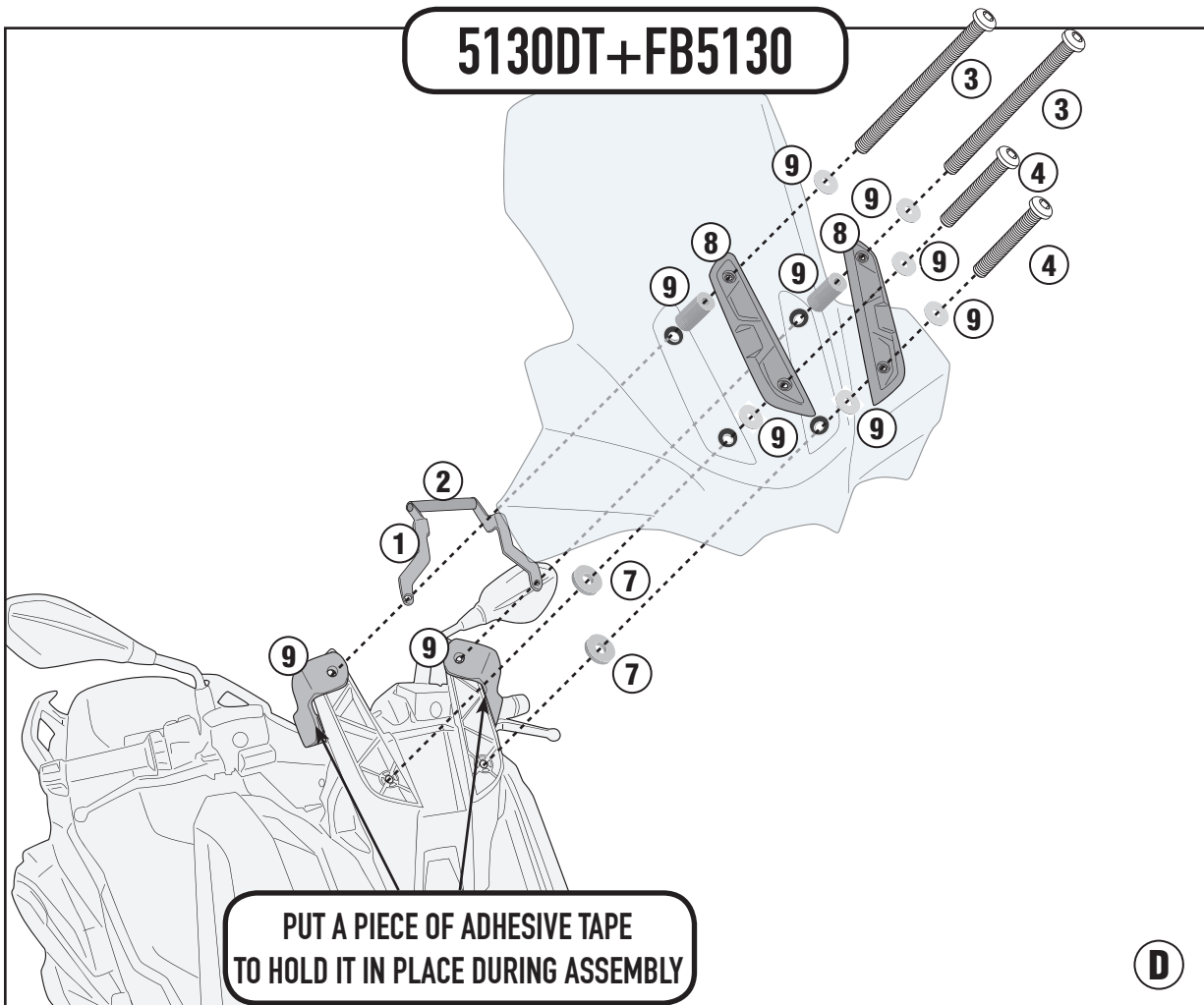


**FB5130 - KFB5130**  
 Traversino - Fairing upper bracket - Support gps pour carenage - Barra -  
 Halterung zur montage am windschild - Suporte  
**BMW C400X (2019)**

**ORIGINAL SCREEN**



**5130DT+FB5130**



**PUT A PIECE OF ADHESIVE TAPE  
 TO HOLD IT IN PLACE DURING ASSEMBLY**