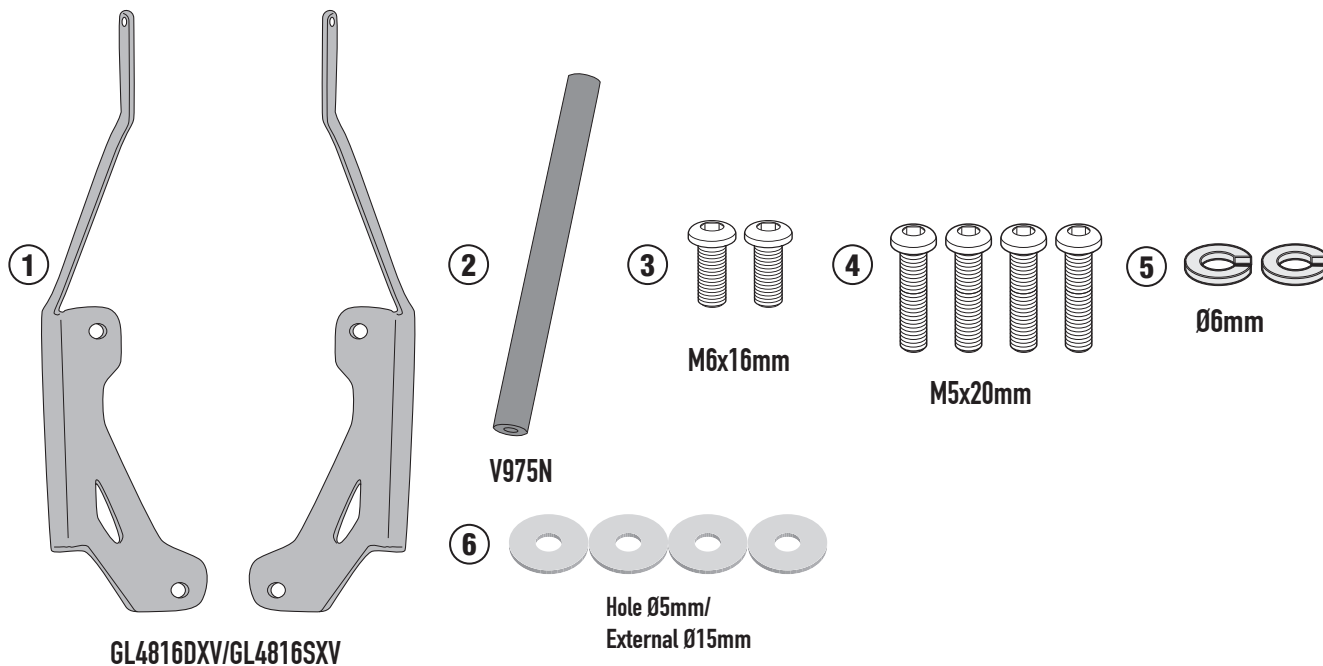


FB1192 – KFB1192

Traversino – Fairing upper bracket – Support gps pour carenage – Barra –
 Halterung zur montage am windschild – Suporte
HONDA NC750X (2021)

N°	Descrizione/Description	Caratteristiche/Features	Codice/Code	Quantità/Quantity
1	Supporto laterale - Lower frame Support latéral - Soporte lateral Untere Halterung - Suporte lateral	-	GL4816DXV GL4816SXV	2 (Right/Left)
2	Supporto - Support - Support Halterung - Soporte - Apoio	-	V975N	1
3	Vite - Screw Vis - Schraube Tornillo - Parafuso	TBEIFF M6x16	616TBEIFF	2
4	Vite - Screw Vis - Schraube Tornillo - Parafuso	TBEI M5x20	520TBEI	4
5	Rondella spaccata - Split washer Scheibe - Rondelle fendue Arandela seccionada - Arruela quebrada	Foro Ø6mm	Z1063	2
6	Rondella - Washer Rondelle - Scheibe Arandela - Arruela	Foro Ø5mm Esterno Ø15mm	515RON	4
7	Componenti Originali - Original Parts Parties Originales - Original Bauteile Componentes Originales - Componentes Originais	-	-	-



GL4816DXV/GL4816SXV

V975N

M6x16mm

M5x20mm

Ø6mm

Hole Ø5mm/
External Ø15mm

3 mm / 4 mm / 5 mm



ISTRUZIONI DI MONTAGGIO – MOUNTING INSTRUCTIONS
 INSTRUCTIONS DE MONTAGE – BAUANLEITUNG
 INSTRUCCIONES DE MONTAJE – INSTRUÇÕES DE MONTAGEM

FB1192 - KFB1192

Traversino - Fairing upper bracket - Support gps pour carenage - Barra -
 Halterung zur montage am windschild - Suporte

HONDA NC750X (2021)

